

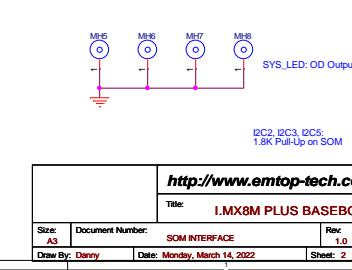
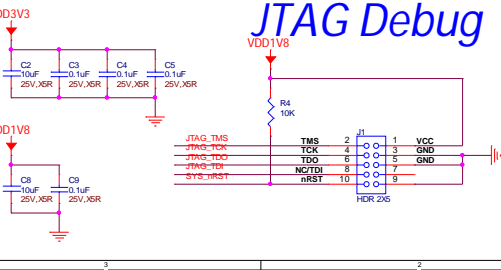
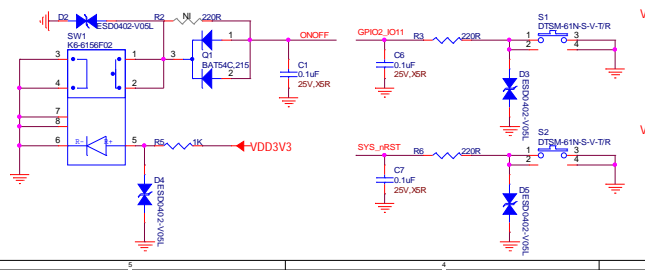
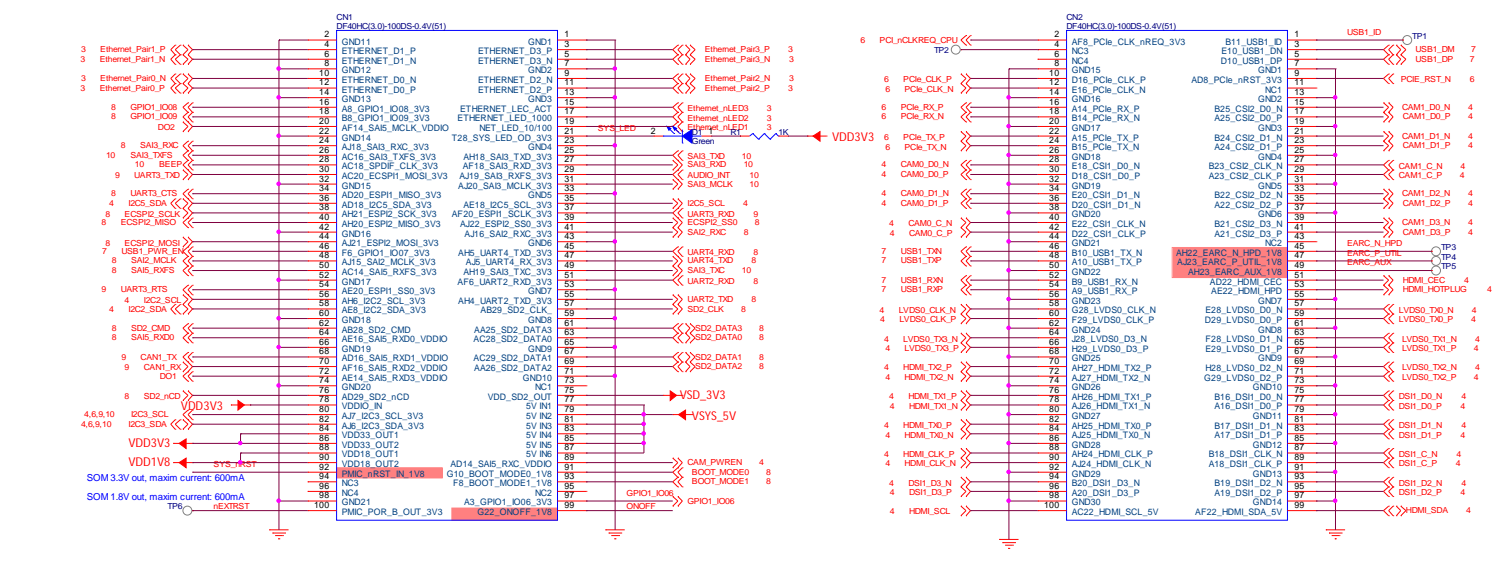
# IMX8M PLUS BASEBOARD

## Table of Content

<b>Page 1</b>	Cover
<b>Page 2</b>	SOM INTERFACE
<b>Page 3</b>	GIGA ETHERNET * 2
<b>Page 4</b>	VIDEO IN/OUT
<b>Page 5</b>	M.2 4G/5G Module
<b>Page 6</b>	NVMe SSD
<b>Page 7</b>	USB
<b>Page 8</b>	SD and DEBUG and GPIO
<b>Page 9</b>	RTC and CAN/RS485/ DI/DO
<b>Page 10</b>	AUDIO
<b>Page 11</b>	POWER



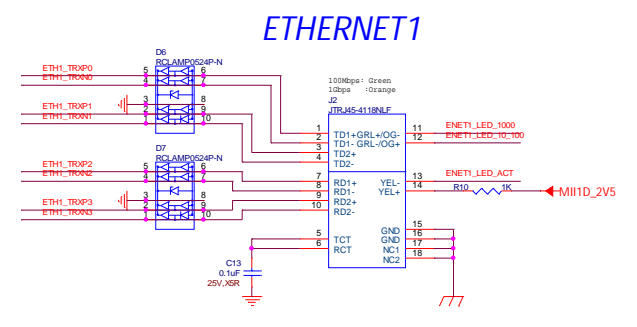
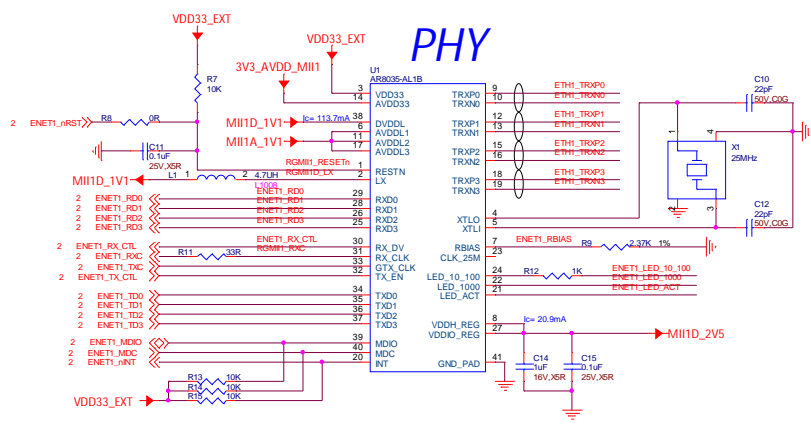
<a href="http://www.emtop-tech.com">http://www.emtop-tech.com</a>		
Title: <b>IMX8M PLUS BASEBOARD</b>		
Size: B	Document Number: COVER	Rev: 1.0
DrawBy: Danny	Date: Monday, March 14, 2022	Sheet: 1 of 11



<http://www.emtop-tech.com>

Title: I.MX8M PLUS BASEBOARD

Size: A3	Document Number: SOM INTERFACE	Rev: 1.0
Draw By: Dany	Date: Monday, March 14, 2022	Sheet: 2 of 11



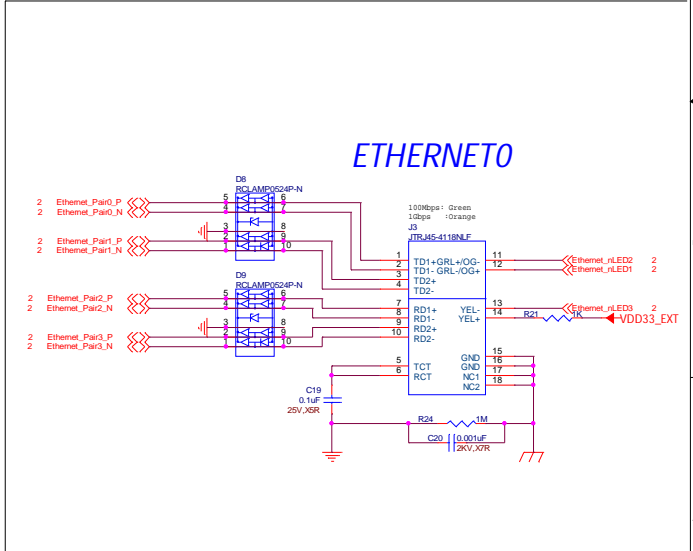
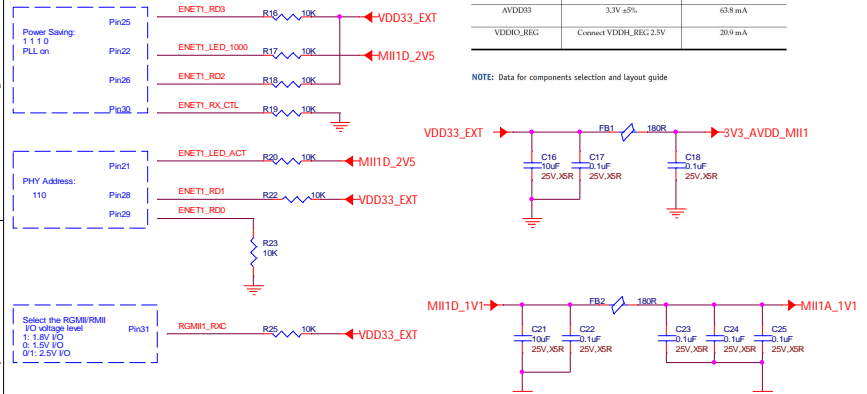
3.6 Power Pin Consumption

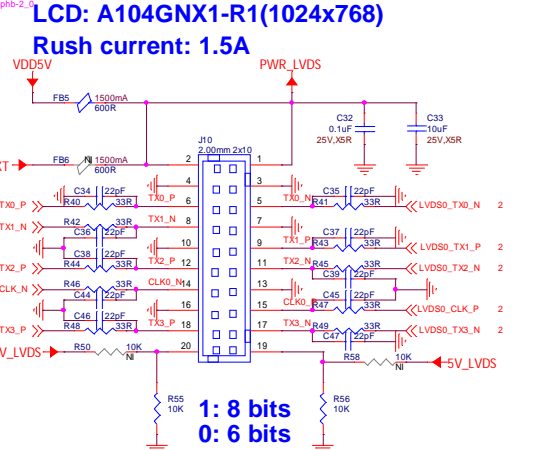
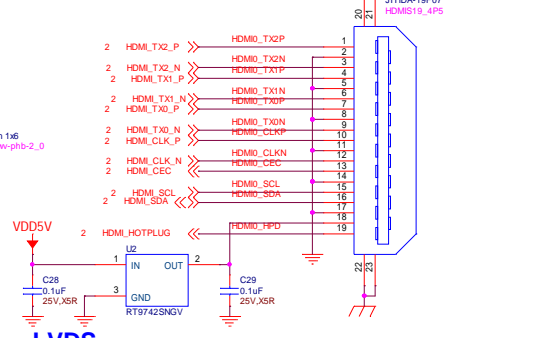
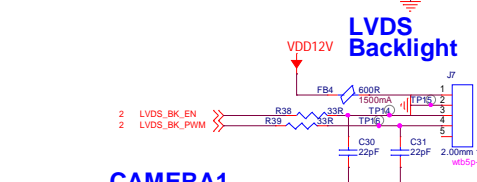
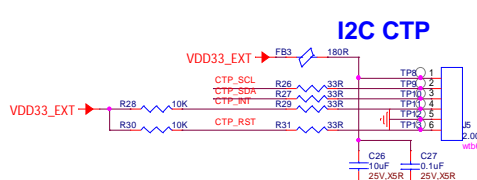
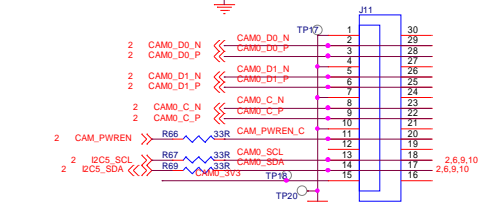
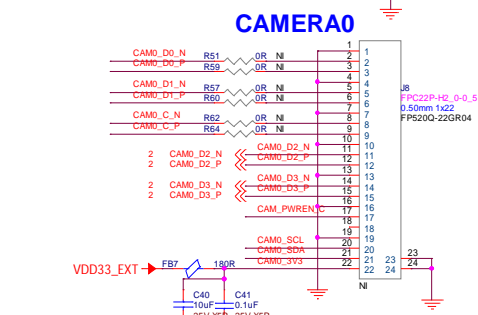
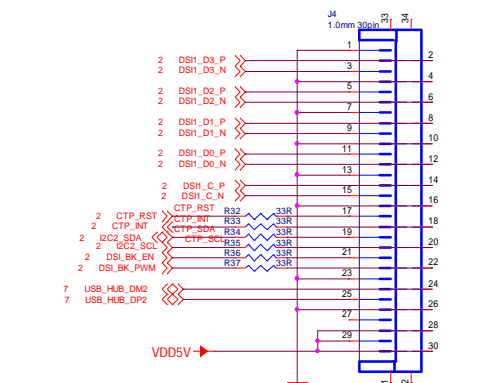
Table 3-12. Power Pin Characteristic

Symbol	Voltage Range	Current
AVDD03	1.1V ±5%	90.8 mA
DVDD03	1.1V ±5%	113.7 mA
AVDD03	3.3V ±5%	63.8 mA
VDDIO_REG	Circuit VDDIO_REG: 2.5V	20.9 mA

NOTE: Data for components selection and layout guide

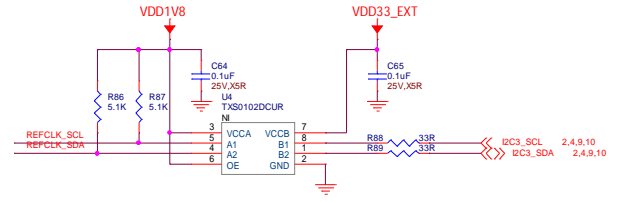
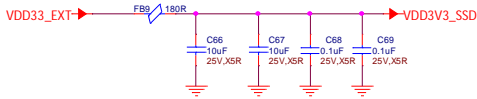
**Strapping Options:**



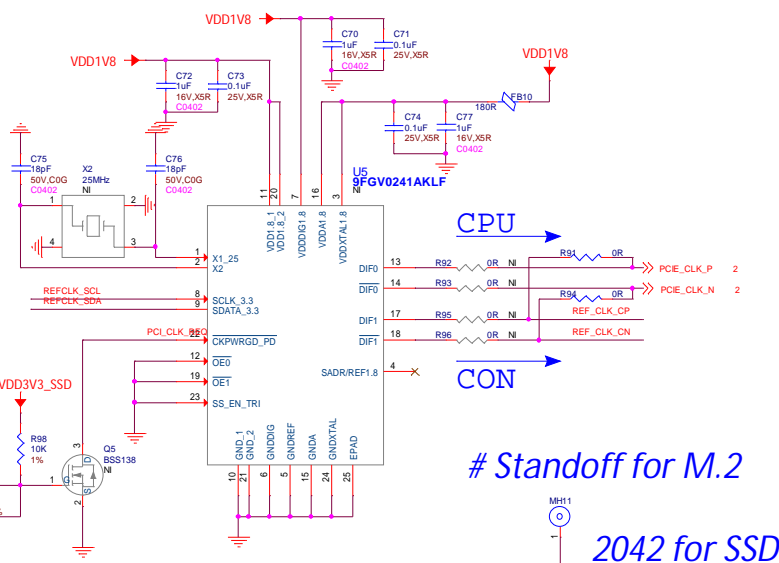
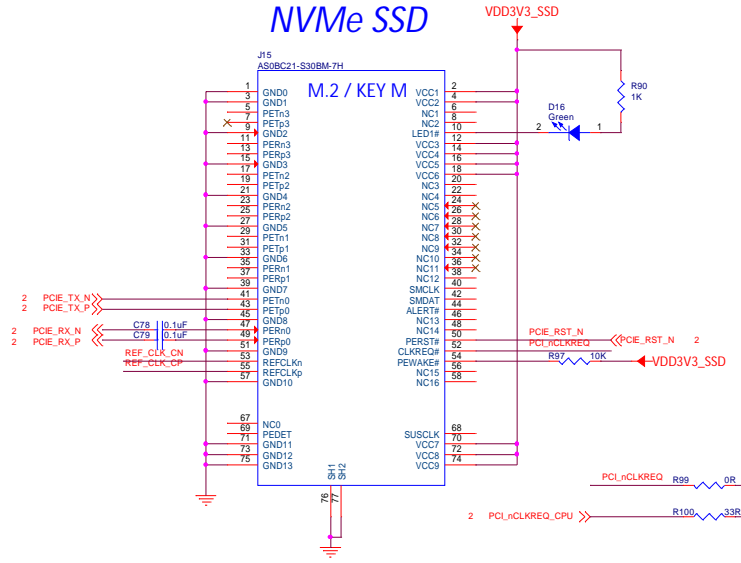


http://www.emtop-tech.com	
Title: I.MX8M PLUS BASEBOARD	
Doc Number: VIDEO INOUT	Rev: 1.0
DrawBy: Danny	Date: Monday, March 14, 2022
Sheet: 4 of 11	





**NVMe SSD**

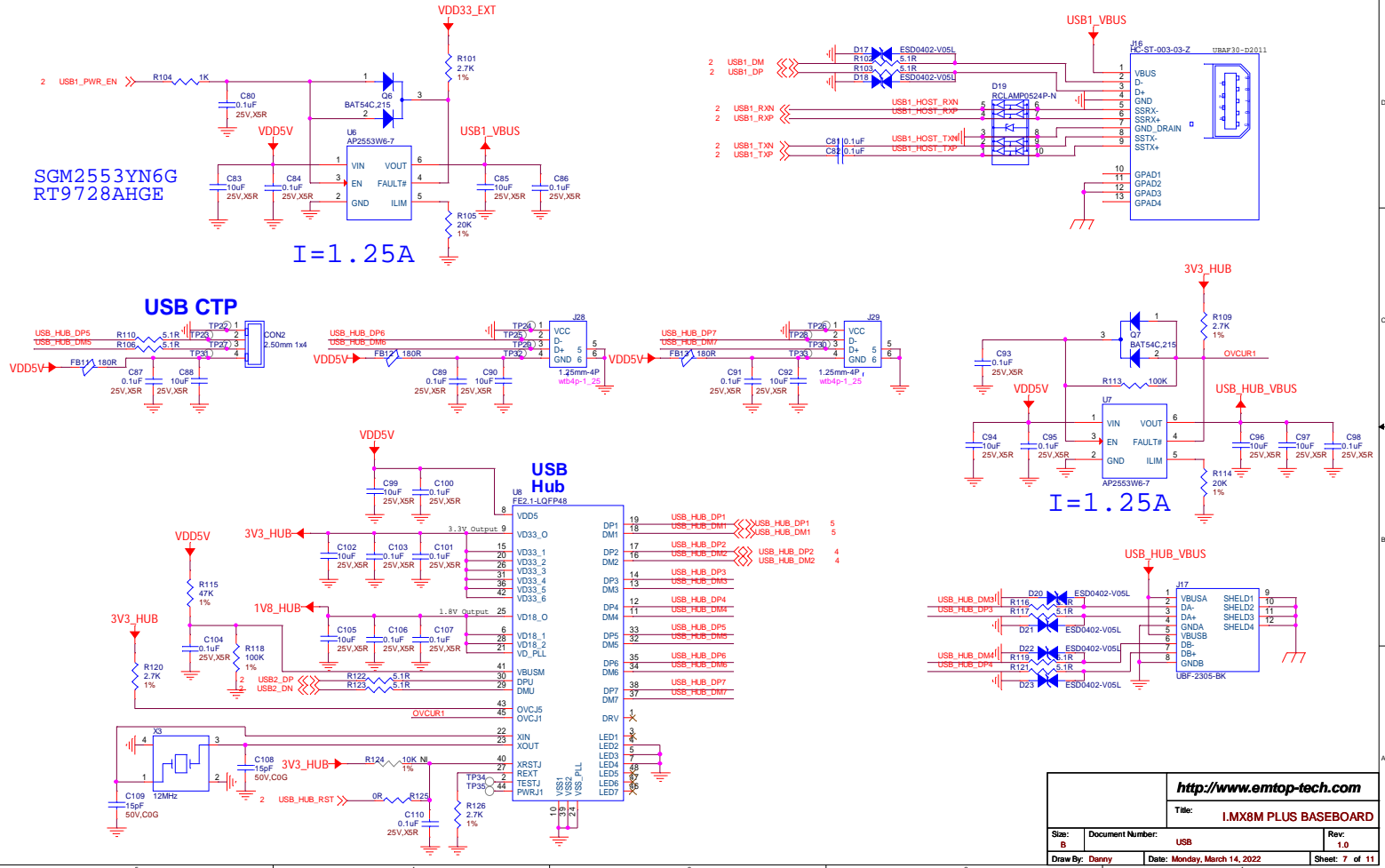


# Standoff for M.2  
2042 for SSD

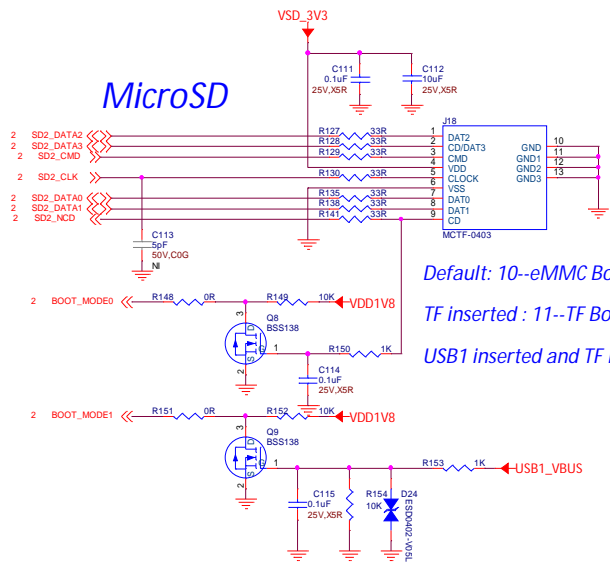
<a href="http://www.emtop-tech.com">http://www.emtop-tech.com</a>		
Title: I.MX8M PLUS BASEBOARD		
Size: B	Document Number: NVMe SSD	Rev: 1.0
DrawBy: Danny	Date: Monday, March 14, 2022	Sheet: 6 of 11

SGM2553YN6G  
RT9728AHGE

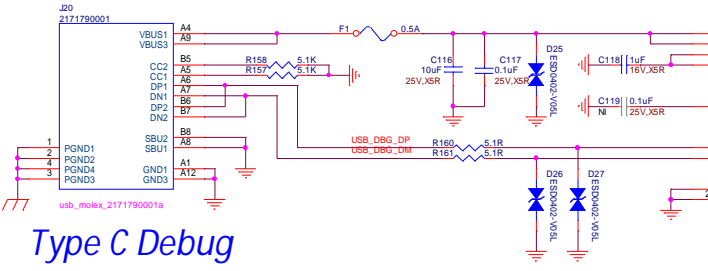
I = 1.25A



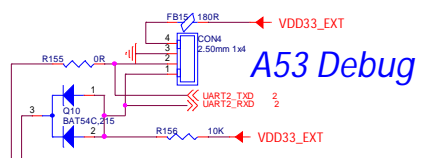
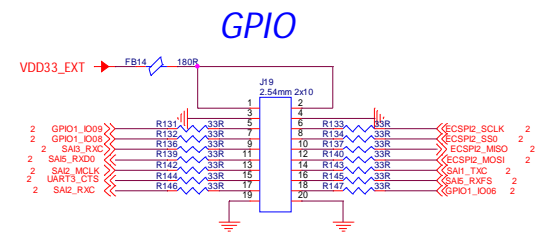
http://www.emtop-tech.com	
Title: I.MX8M PLUS BASEBOARD	
Size: B	Document Number: USB
Rev: 1.0	Date: Monday, March 14, 2022
DrawBy: Danny	Sheet: 7 of 11



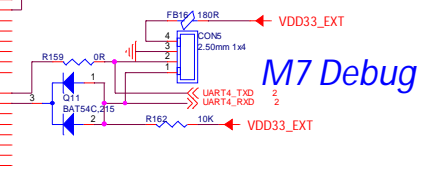
Default: 10--eMMC Boot  
 TF inserted: 11--TF Boot  
 USB1 inserted and TF inserted: 01-- USB Download



Type C Debug



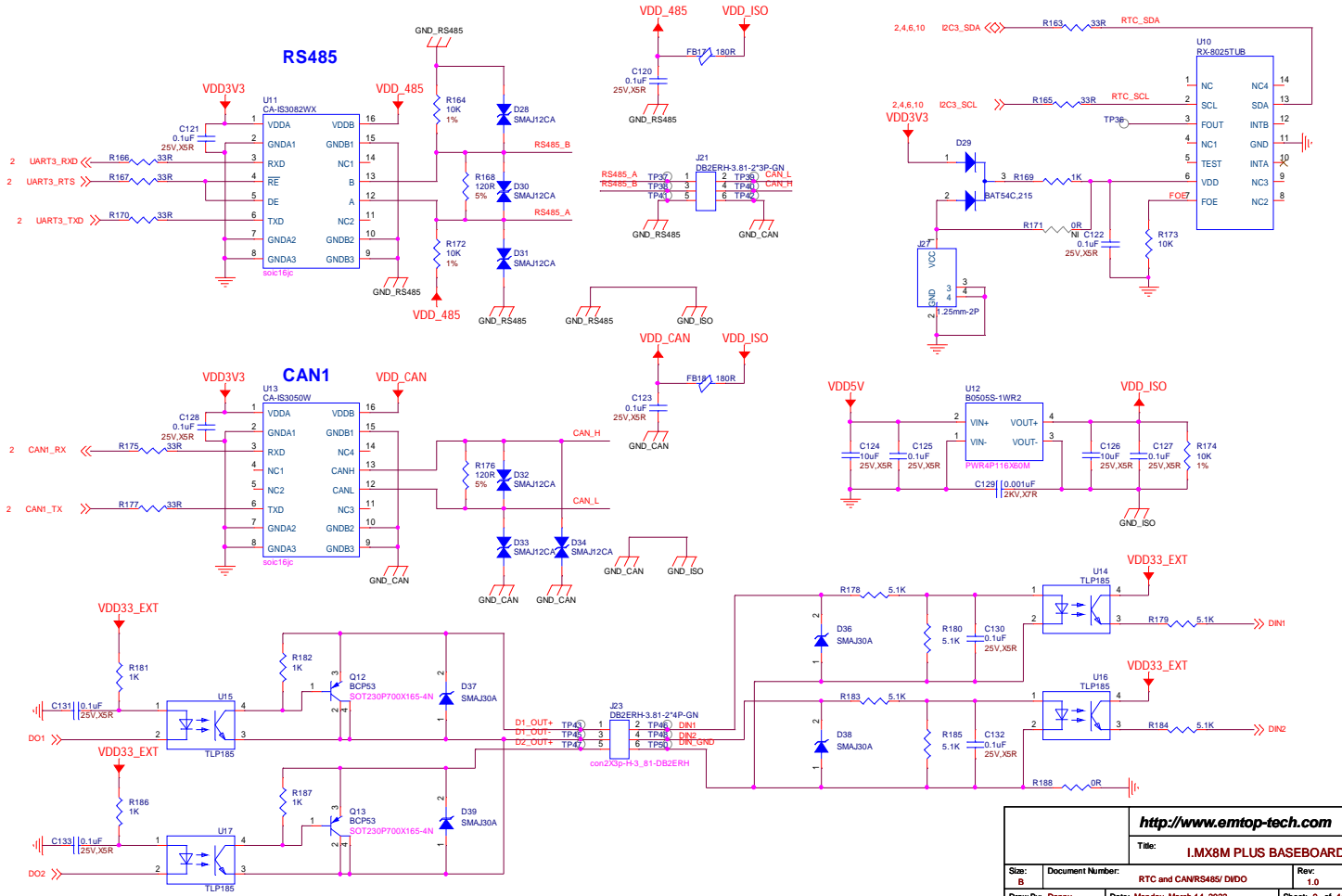
A53 Debug



M7 Debug

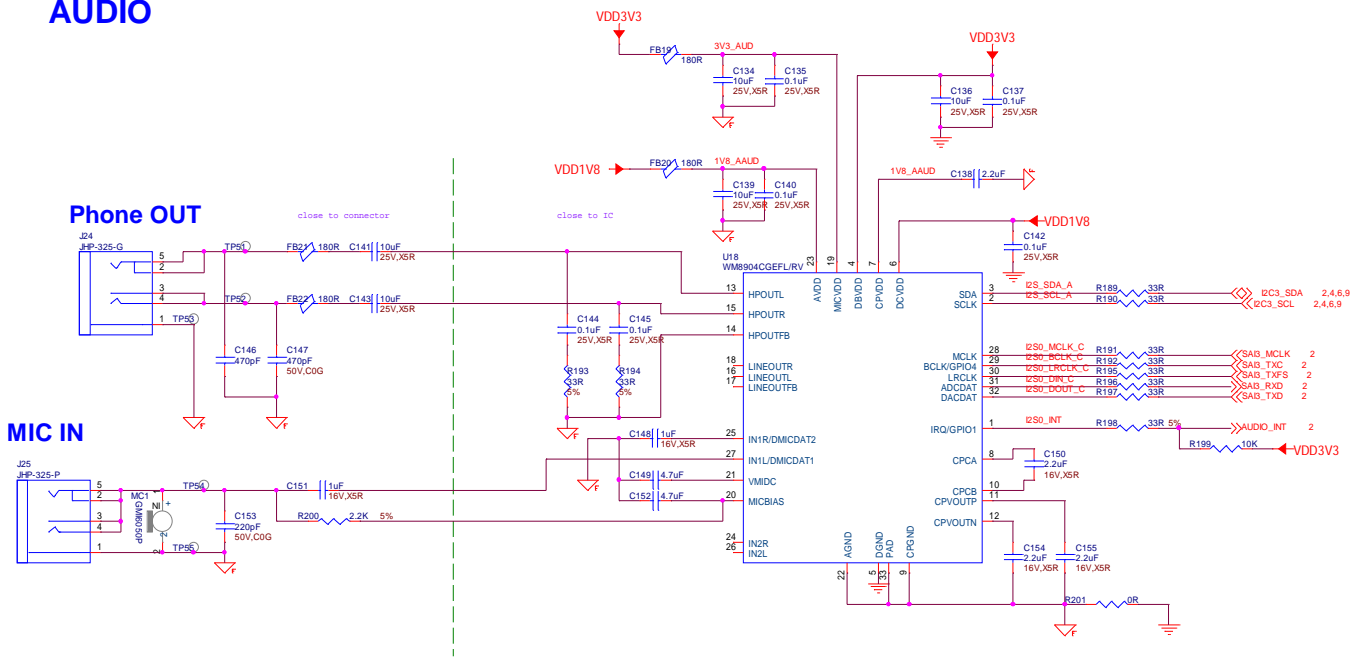
		<a href="http://www.emtop-tech.com">http://www.emtop-tech.com</a>	
		Title: I.MX8M PLUS BASEBOARD	
Size: B	Document Number: SD and DEBUG and GPIO	Rev: 1.0	
DrawBy: Danny	Date: Monday, March 14, 2022	Sheet: 8 of 11	



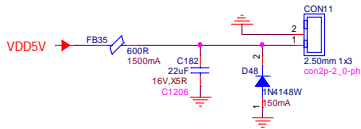
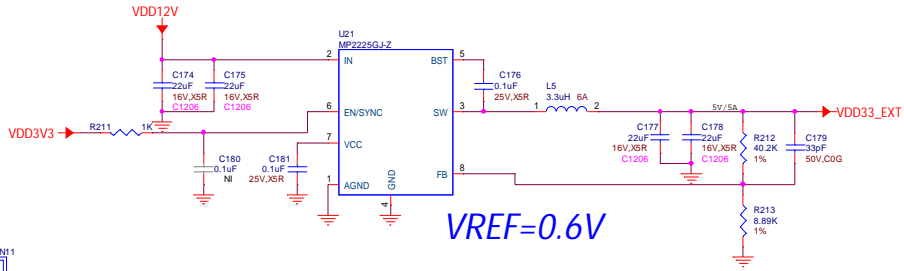
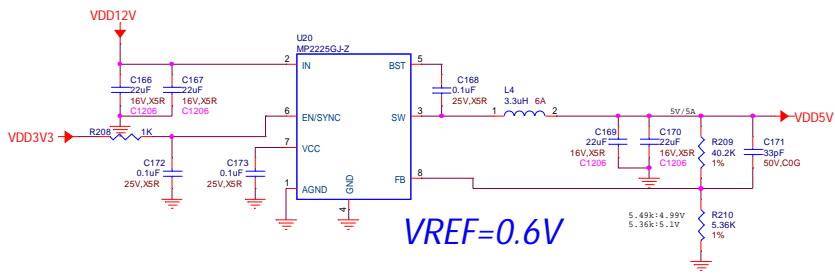
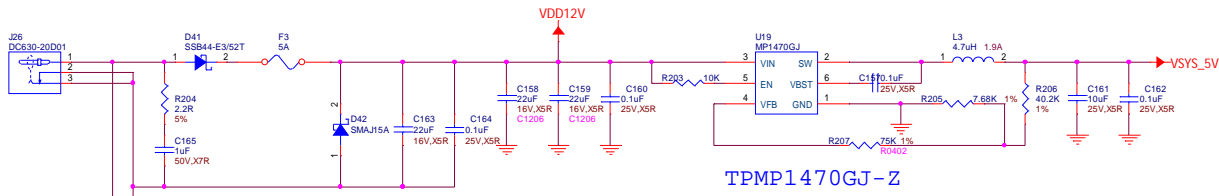


		<a href="http://www.emtop-tech.com">http://www.emtop-tech.com</a>	
		Title: I.MX8M PLUS BASEBOARD	
Size: B	Document Number: RTC and CANRS485/ D1D0	Rev: 1.0	
DrawBy: Danny	Date: Monday, March 14, 2022	Sheet: 9 of 11	

# AUDIO



		<a href="http://www.emtop-tech.com">http://www.emtop-tech.com</a>	
		Title: <b>I.MX8M PLUS BASEBOARD</b>	
Size: B	Document Number: AUDIO	Rev: 1.0	
DrawBy: Danny	Date: Monday, March 14, 2022	Sheet: 10 of 11	



<a href="http://www.emtop-tech.com">http://www.emtop-tech.com</a>		
Title: I.MX8M PLUS BASEBOARD		
Size: B	Document Number: POWER	Rev: 1.0
DrawBy: Danny	Date: Monday, March 14, 2022	Sheet: 11 of 11